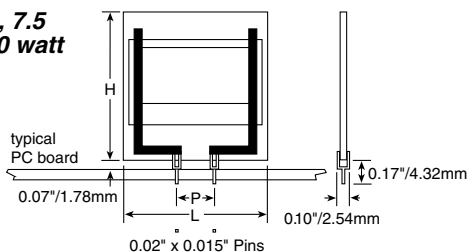


TA Series

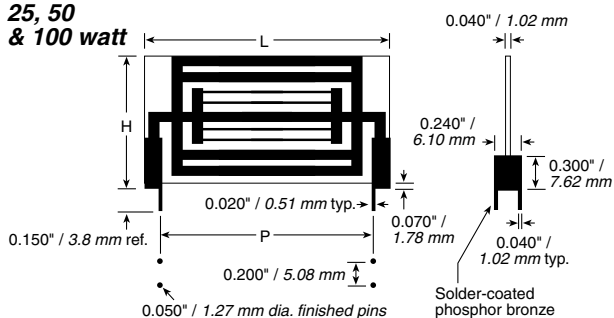
Power Chip® Thick Film on Alumina Substrate



3, 5, 7.5
& 10 watt



25, 50
& 100 watt



Ohmite's original Power Chip resistors feature our thick film on alumina substrate technology. These planar packages yield space saving, 10W/in² power densities that require over 50% less board space than other radial packages. Convection cooling is maximized by the planar package configuration which dissipates heat well above board level.

Ohmite's power chip resistors have a 125% higher operating temperature range than competitive product of similar design. High temperature solder and in-process plating keep terminations secure under self-heating effects by preventing re-flow from full power operation.

Flexible packaging schemes make these resistors ideal for power supplies, audio amplifiers, video fly-back, and other power control applications.

SPECIFICATIONS

Material

Substrate: Alumina

Resistor: Thick Film

Coating: Glass

Terminals: Solder Plated
Phosphor Bronze

Thermal Conductivity:
20 Watts/Meter/°C

Temperature Coefficient:
1 ohm 450 ppm/°C
1 to 100Ω 100 ppm/°C
101Ω and up 50 ppm/°C

Electrical

Tolerance: ±1%, ±5% and ±10%

Power Rating: Based on 25°C free air

Resistance Range: 0.25 ohm to 10M ohm. Consult factory for other values

Maximum Operating Voltage:
350 VAC, 500 VDC through glass, 1000 VAC, 1500 VDC through substrate

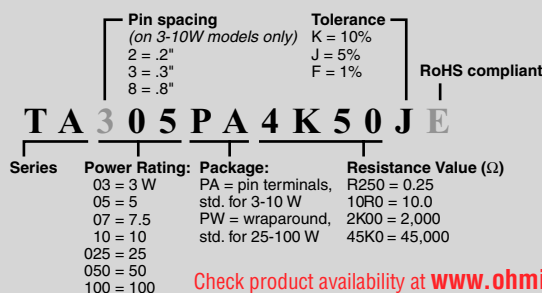
Overload: Five times rated power, as long as the one second average dissipation does not exceed the wattage rating.

Derating:
100% @ 25°C to 0% @ 350°C.

FEATURES

- High-Temp Terminal Construction
- Wide Resistance Range
- Low Inductance (50nH-100nH)
- High Power Density
- Easy to install. PC-mountable

ORDERING INFORMATION



Check product availability at www.ohmite.com

| Dimensions (±.020 in. / ±.508mm) | | | | |
|----------------------------------|---------|---------------|----------------|---------------|
| Series | Wattage | P | Length L | Height H |
| TA203 | 3.0 | 0.200 / 5.08 | 0.50 / 12.70 | 0.60 / 15.24 |
| TA303 | 3.0 | 0.300 / 7.62 | 0.50 / 12.70 | 0.60 / 15.24 |
| TA205 | 5.0 | 0.200 / 5.08 | 0.50 / 12.70 | 1.00 / 25.40 |
| TA305 | 5.0 | 0.300 / 7.62 | 0.50 / 12.70 | 1.00 / 25.40 |
| TA605 | 5.0 | 0.600 / 15.24 | 1.00 / 25.40 | 0.50 / 12.70 |
| TA805 | 5.0 | 0.800 / 20.32 | 1.00 / 25.40 | 0.50 / 12.70 |
| TA207 | 7.5 | 0.200 / 5.08 | 0.75 / 19.05 | 1.00 / 25.40 |
| TA307 | 7.5 | 0.300 / 7.62 | 0.75 / 19.05 | 1.00 / 25.40 |
| TA310 | 10.0 | 0.300 / 7.62 | 1.00 / 25.40 | 1.00 / 25.40 |
| TA810 | 10.0 | 0.800 / 20.32 | 1.00 / 25.40 | 1.00 / 25.40 |
| TA025 | 25.0 | 1.90 / 48.3 | 2.220 / 56.39 | 1.170 / 29.70 |
| TA050 | 50.0 | 1.90 / 48.3 | 2.220 / 56.39 | 2.270 / 57.60 |
| TA100 | 100.0 | 4.10 / 104.1 | 4.420 / 112.27 | 2.270 / 57.60 |

STANDARD PART NUMBERS FOR TA SERIES

| Ohmic value | Part Number | | | | | | | | | | Ohmic value | Part Number | | | | | | | | | | Ohmic value | Part Number | | | | | | | | | | | | |
|-------------|------------------------|---------|---------|---------|---------|---------|---------|---------|---------|---------|-------------|-------------|------------------------|---------|---------|---------|---------|---------|---------|---------|---------|-------------|-------------|-----------|------------------------|---------|---------|---------|---------|---------|---------|---------|---------|---------|---------|
| | Part No. Prefix Suffix | TA203PA | TA303PA | TA205PA | TA305PA | TA207PA | TA310PA | TA810PW | TA025PW | TA050PW | | TA100PW | Part No. Prefix Suffix | TA203PA | TA303PA | TA205PA | TA305PA | TA207PA | TA310PA | TA810PW | TA025PW | | TA050PW | TA100PW | Part No. Prefix Suffix | TA203PA | TA303PA | TA205PA | TA305PA | TA207PA | TA310PA | TA810PW | TA025PW | TA050PW | TA100PW |
| 0.25 | R250J | + | ✓ | ✓ | ✓ | ✓ | ✓ | ✓ | ✓ | ✓ | ✓ | 50.00 | 50R0J | + | + | + | + | ✓ | ✓ | ✓ | ✓ | ✓ | ✓ | 2,500.00 | 2K50J | ✓ | ✓ | + | ✓ | ✓ | ✓ | ✓ | ✓ | ✓ | ✓ |
| 1.00 | 1R00J | + | + | + | + | ✓ | ✓ | ✓ | ✓ | ✓ | ✓ | 62.00 | 62R0J | ✓ | ✓ | + | + | ✓ | ✓ | ✓ | ✓ | ✓ | ✓ | 3,000.00 | 3K00J | ✓ | ✓ | + | ✓ | ✓ | ✓ | ✓ | ✓ | ✓ | ✓ |
| 1.50 | 1R50J | ✓ | ✓ | ✓ | ✓ | ✓ | ✓ | ✓ | ✓ | ✓ | ✓ | 68.00 | 68R0J | ✓ | ✓ | + | + | ✓ | ✓ | ✓ | ✓ | ✓ | ✓ | 4,000.00 | 4K00J | ✓ | ✓ | + | ✓ | ✓ | ✓ | ✓ | ✓ | ✓ | ✓ |
| 2.00 | 2R00J | + | + | + | ✓ | ✓ | ✓ | ✓ | ✓ | ✓ | ✓ | 75.00 | 75R0J | ✓ | ✓ | ✓ | ✓ | ✓ | ✓ | ✓ | ✓ | ✓ | ✓ | 4,700.00 | 4K70J | ✓ | ✓ | + | + | ✓ | ✓ | ✓ | ✓ | ✓ | ✓ |
| 4.70 | 4R70J | ✓ | ✓ | + | + | ✓ | ✓ | ✓ | ✓ | ✓ | ✓ | 100.00 | 100RJ | + | + | + | + | ✓ | ✓ | ✓ | ✓ | ✓ | ✓ | 5,000.00 | 5K00J | ✓ | ✓ | + | + | ✓ | ✓ | ✓ | ✓ | ✓ | ✓ |
| 5.00 | 5R00J | + | ✓ | ✓ | ✓ | ✓ | ✓ | ✓ | ✓ | ✓ | ✓ | 150.00 | 150RJ | ✓ | + | + | ✓ | ✓ | ✓ | ✓ | ✓ | ✓ | ✓ | 5,100.00 | 5K10J | ✓ | ✓ | + | ✓ | ✓ | ✓ | ✓ | ✓ | ✓ | ✓ |
| 5.10 | 5R10J | ✓ | ✓ | ✓ | ✓ | ✓ | ✓ | ✓ | ✓ | ✓ | ✓ | 200.00 | 200RJ | + | + | + | + | ✓ | ✓ | ✓ | ✓ | ✓ | ✓ | 7,500.00 | 7K50J | ✓ | ✓ | + | ✓ | ✓ | ✓ | ✓ | ✓ | ✓ | ✓ |
| 7.50 | 7R50J | ✓ | ✓ | ✓ | ✓ | ✓ | ✓ | ✓ | ✓ | ✓ | ✓ | 250.00 | 250RJ | ✓ | ✓ | + | + | ✓ | ✓ | ✓ | ✓ | ✓ | ✓ | 10,000.00 | 10K0J | + | ✓ | + | + | + | + | + | + | ✓ | ✓ |
| 8.20 | 8R20J | ✓ | ✓ | ✓ | ✓ | ✓ | ✓ | ✓ | ✓ | ✓ | ✓ | 270.00 | 270RJ | ✓ | ✓ | + | + | ✓ | ✓ | ✓ | ✓ | ✓ | ✓ | 15,000.00 | 15K0J | ✓ | ✓ | + | ✓ | ✓ | ✓ | ✓ | ✓ | ✓ | ✓ |
| 10.00 | 10R0J | + | + | + | + | ✓ | ✓ | ✓ | ✓ | ✓ | ✓ | 300.00 | 300RJ | + | + | + | + | ✓ | ✓ | ✓ | ✓ | ✓ | ✓ | 18,000.00 | 18K0J | ✓ | + | ✓ | + | ✓ | ✓ | ✓ | ✓ | ✓ | ✓ |
| 11.00 | 11R0J | ✓ | ✓ | + | + | ✓ | ✓ | ✓ | ✓ | ✓ | ✓ | 470.00 | 470RJ | + | + | + | + | ✓ | ✓ | ✓ | ✓ | ✓ | ✓ | 20,000.00 | 20K0J | ✓ | ✓ | + | + | ✓ | ✓ | ✓ | ✓ | ✓ | ✓ |
| 12.00 | 12R0J | + | ✓ | ✓ | ✓ | ✓ | ✓ | ✓ | ✓ | ✓ | ✓ | 500.00 | 500 | + | + | + | + | ✓ | ✓ | ✓ | ✓ | ✓ | ✓ | 30,000.00 | 30K0J | ✓ | ✓ | + | ✓ | ✓ | ✓ | ✓ | ✓ | ✓ | ✓ |
| 15.00 | 15R0J | + | ✓ | ✓ | + | ✓ | ✓ | ✓ | ✓ | ✓ | ✓ | 620.00 | 620RJ | ✓ | ✓ | + | + | ✓ | ✓ | ✓ | ✓ | ✓ | ✓ | 39,000.00 | 39K0J | ✓ | ✓ | ✓ | + | ✓ | ✓ | ✓ | ✓ | ✓ | ✓ |
| 20.00 | 20R0J | + | ✓ | ✓ | + | ✓ | ✓ | ✓ | ✓ | ✓ | ✓ | 680.00 | 680RJ | ✓ | ✓ | + | + | ✓ | ✓ | ✓ | ✓ | ✓ | ✓ | 50,000.00 | 50K0J | ✓ | ✓ | + | ✓ | ✓ | ✓ | ✓ | ✓ | ✓ | ✓ |
| 24.00 | 24R0J | ✓ | ✓ | + | + | ✓ | ✓ | ✓ | ✓ | ✓ | ✓ | 1,000.00 | 1K00J | + | + | + | + | ✓ | ✓ | ✓ | ✓ | ✓ | ✓ | 75,000.00 | 75K0J | ✓ | ✓ | + | + | ✓ | ✓ | ✓ | ✓ | ✓ | ✓ |
| 27.00 | 27R0J | + | ✓ | ✓ | ✓ | ✓ | ✓ | ✓ | ✓ | ✓ | ✓ | 1,500.00 | 1K50J | ✓ | ✓ | + | + | ✓ | ✓ | ✓ | ✓ | ✓ | ✓ | 100,000 | 100KJ | + | + | + | ✓ | ✓ | ✓ | ✓ | ✓ | ✓ | ✓ |
| 33.00 | 33R0J | ✓ | ✓ | ✓ | ✓ | ✓ | ✓ | ✓ | ✓ | ✓ | ✓ | 1,800.00 | 1K80J | ✓ | ✓ | + | + | ✓ | ✓ | ✓ | ✓ | ✓ | ✓ | 150,000 | 150KJ | + | ✓ | ✓ | ✓ | ✓ | ✓ | ✓ | ✓ | ✓ | ✓ |
| 47.00 | 47R0J | + | ✓ | ✓ | ✓ | ✓ | ✓ | ✓ | ✓ | ✓ | ✓ | 2,000.00 | 2K00J | + | ✓ | + | + | ✓ | ✓ | ✓ | ✓ | ✓ | ✓ | 200,000 | 200KJ | ✓ | + | ✓ | ✓ | ✓ | ✓ | ✓ | ✓ | ✓ | ✓ |